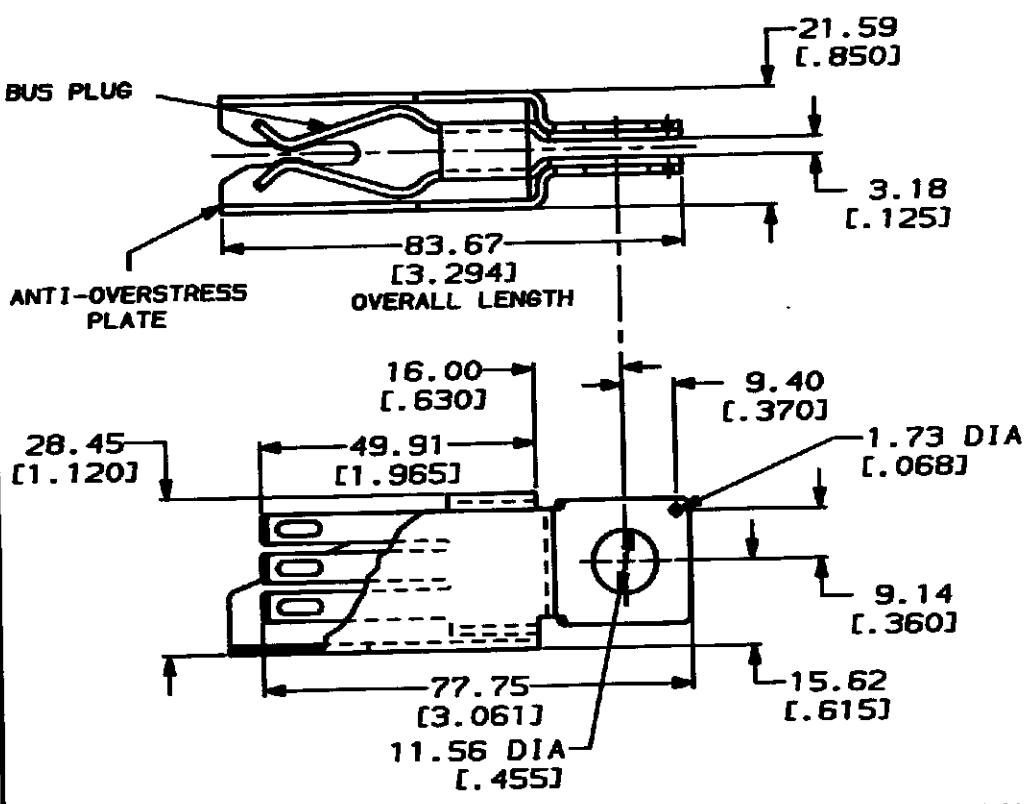


DRAWING MADE IN THIRD ANGLE PROJECTION

LOC	DIST	P	F	LTR	DESCRIPTION	DATE	APPROVED
BG	5			E	REVISION PER B6648	04/92	<i>Gene</i>

THIS DRAWING IS UNPUBLISHED. RELEASED FOR PUBLICATION BY AMP OF CANADA LTD. ALL INTERNATIONAL RIGHTS RESERVED. © COPYRIGHT 19



1. ALL DIMENSIONS REFERENCE ONLY

METRIC

104501-1
PART NO

DO NOT SCALE PRINT. UNLESS SPECIFIED DIMENSIONS IN mm (IN) TOLERANCES ON: 2 PLG DEC * - 3 PLG DEC * - ANGLES * -	DR - CHK S. NUMBER APPD - APPD - PRODUCT SPEC 108-1101	AMP AMP of CANADA Ltd. Markham, Ont.
MATERIAL BUS PLUG: COPPER ALLOY ANTI-OVERSTRESS PLATE: S.S.	APPLICATION SPEC 114-02111 WEIGHT -	NAME AMP PDS, 125 F2 BUS PLUG W/GUIDE
FINISH BUS PLUG: As per ANTI-OVERSTRESS PLATE: PASSEPART	SIZE A	CAGE CODE 09482
	DRAWING NO 104501	SCALE NTS
		SHEET 1 of 1

AMP 1489-32 REV 11-89

CUSTOMER DRAWING